

■ For Overcurrent Protection

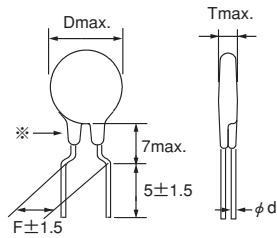


Fig. 1 (Formed Lead Type : Y)

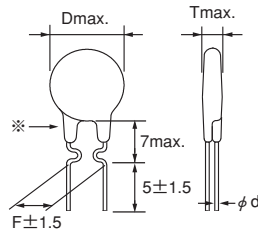


Fig. 2 (Formed Lead Type : U)

※ This would not affect the function, internal element may be exposed.

● 12V Class

Type No.	Initial Resistance (at 25°C)	Max. Operating Voltage (V)	Max. Inrush Current (A)	Current Characteristic (mA)		Dimensions (mm)				Fig
				Normal Current (60°C)	Limiting Current (-10°C)	D	T	F	d	
ZPC11CE2R2K	2.2 Ω ± 20%	16	2.1	≦ 300	760 ≦	5.5	3.0	5.0	0.5	1
ZPC13CE1R5K	1.5 Ω ± 20%		3	≦ 410	1030 ≦	7.0			0.6	
ZPC17CE0R8K	0.8 Ω ± 20%		4.1	≦ 600	1490 ≦	8.8			0.6	2
ZPC1MCC0R3K	0.3 Ω ± 20%		7	≦ 1030	2580 ≦	14.5				

● 25V Class

Type No.	Initial Resistance (at 25°C)	Max. Operating Voltage (V)	Max. Inrush Current (A)	Current Characteristic (mA)		Dimensions (mm)				Fig
				Normal Current (60°C)	Limiting Current (-10°C)	D	T	F	d	
ZPC25CE8R2K	8.2 Ω ± 20%	35	1.3	≦ 120	310 ≦	8.0	3.5	5.0	0.5	2
ZPC2DCE4R7K	4.7 Ω ± 20%		1.8	≦ 270	680 ≦	11.4			0.6	
ZPC2ECE3R3K	3.3 Ω ± 20%		2.2	≦ 310	790 ≦	11.9				
ZPC2LCE2R2K	2.2 Ω ± 20%		2.8	≦ 400	1020 ≦	14.3			10.0	

● 50V Class

Type No.	Initial Resistance (at 25°C)	Max. Operating Voltage (V)	Max. Inrush Current (A)	Current Characteristic (mA)		Dimensions (mm)				Fig
				Normal Current (60°C)	Limiting Current (-10°C)	D	T	F	d	
ZPC35CE150K	15 Ω ± 20%	60	0.9	≦ 130	320 ≦	8.0	4.5	5.0	0.5	2
ZPC3DCE6R2K	6.2 Ω ± 20%		1.5	≦ 220	560 ≦	11.4			0.6	
ZPC3MCE3R6K	3.6 Ω ± 20%		2.2	≦ 310	790 ≦	14.7				

● 120V, 220V Class

Type No.	Initial Resistance (at 25°C)	Max. Operating Voltage (V)	Max. Inrush Current (A)	Current Characteristic (mA)		Dimensions (mm)				Fig
				Normal Current (60°C)	Limiting Current (-10°C)	D	T	F	d	
ZPC45CE300K	30 Ω ± 20%	140	0.7	≦ 100	250 ≦	8.7	6.0	5.0	0.5	2
ZPC4CCE150K	15 Ω ± 20%		1.1	≦ 160	410 ≦	11.7			0.6	
ZPC4MCE100K	10 Ω ± 20%		1.5	≦ 210	540 ≦	15.3				
ZPC56CE390K	39 Ω ± 20%	265	0.8	≦ 70	180 ≦	9.5	5.5	5.0	0.6	2
ZPC5JCE270K	27 Ω ± 20%		1.2	≦ 140	350 ≦	14.0	6.0	10.0		

Please contact us, it is possible to other current values.

■ For Thermal Sensing

This series of Posi-R as a temperature indicator is small in size and little in calorific capacity. It is so useful for indicating any overheating of power transistors and thyristors in the power sources.

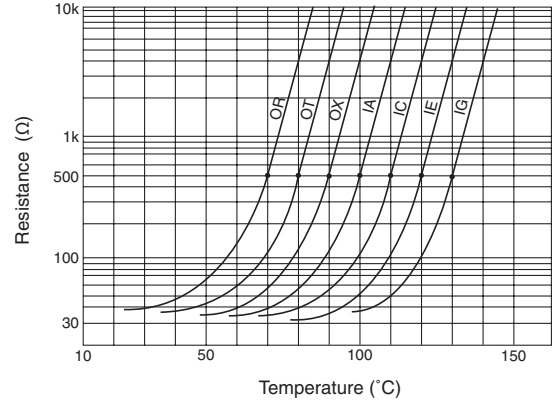
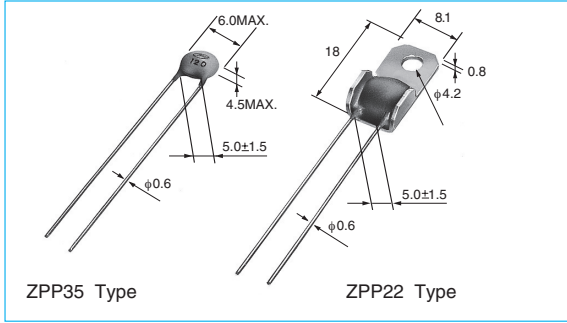


Fig. 12 Resistance / Temperature Characteristics

Type No.		Temperature Indication				Max. Operating Voltage	Max. Inrush Current
ZPP35 Type	ZPP22 Type	25°C	Tr(°C)	Tr-5°C	Tr+5°C		
ZPP350R500E	ZPP220R501E	100Ω or less	70	500Ω or less	500Ω or more	16VDC	100mA
ZPP350T500E	ZPP220T501E		80				
ZPP350X500E	ZPP220X501E		90				
ZPP351A500E	ZPP221A501E		100				
ZPP351C500E	ZPP221C501E		110				
ZPP351E500E	ZPP221E501E		120				
ZPP351G500E	ZPP221G501E		130				

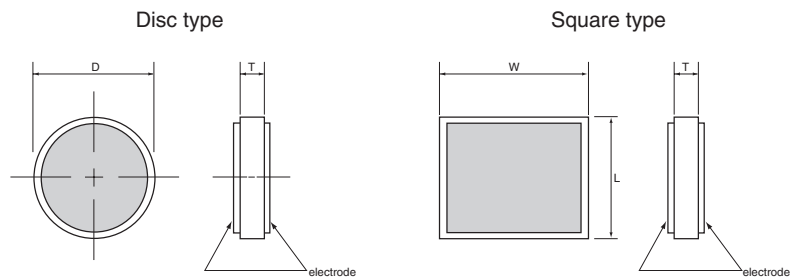
※ The current flowed in a Posi-R shall be within the range lest it should generate heat.

■ For Heater

A disc type Posi-R is ideal for a small-power heater, making use of its self-heating and self-equilibrium characteristics. As a Posi-R self-heats when voltage is applied, the size of a heater element and the switching temperature can be optionally selected in accordance with the shape of appliances.

Since this is of a non-contact control type, it is highly reliable for such applications. It is used for a Automobile-related appliances, house hold appliances and business machines.

● Dimensions



D : ϕ 20mm max.
T : 2 to 3mm

W : 25mm max.
L : 16mm max.
T : 1 to 3mm

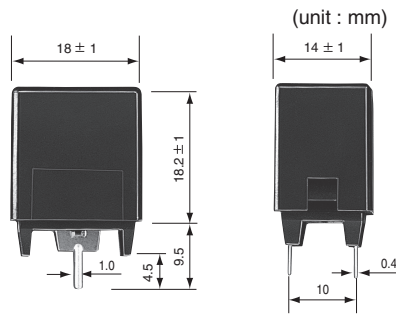
Switching temperature : 280°C max.

Resistance : 0.3 to 3.0 Ω (12V class)
100 to 2000 Ω (100V class)
200 to 2000 Ω (200V class)
(Resistance value varies by size, switching temperature.)

In rush current limitation

A Posi-R for In rush current limitations used for various power supply circuits.

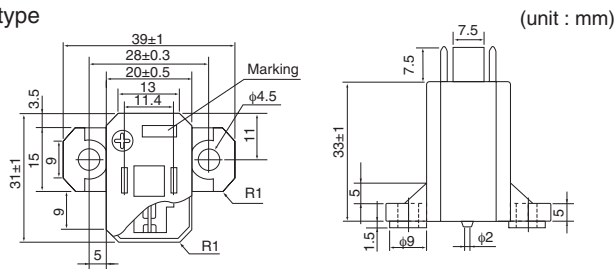
● case type



■ Specification

Type No.	Initial Resistance (at 25°C)	Rated Voltage (Vrms)	Max. Operating Voltage (Vrms)
ZPM0RCH330A250	33Ω ±25%	220 / 240	276
ZPR0RCH400A250	40Ω ±25%		
ZPR0RCH660A250	66Ω ±25%		
ZPR0RCH750A250	75Ω ±25%		
ZPR0RCE820A250	82Ω ±25%		
ZPR0RCE101A250	100Ω ±25%		

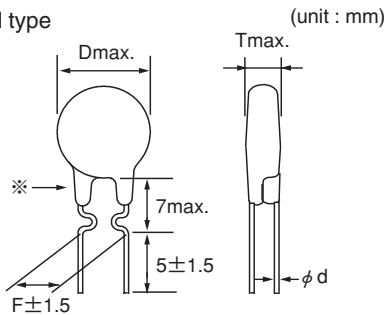
● tab terminal type



■ Specification

Type No.	Initial Resistance (at 25°C)	Max. Operating Voltage (Vrms)	Terminal
ZPR0YCE400A300	40Ω ±25%	300	#187 Tab Terminals
ZPR0YCE101A500	100Ω ^{+30%} / _{-20%}	500	

● lead type



Type No.	Initial Resistance (at 25°C)	Max. Operating Voltage (Vrms)	(mm)			
			D	T	F	d
ZPC56CE390E	39Ω ±25%	144	9.5	5.5	5.0	0.6
ZPC54CH121E	120Ω ±25%	276	7.8	6	5.0	0.5
ZPC54CH181E	180Ω ±25%	276	7.8	6	5.0	0.5
ZPC5JCG121E	120Ω ±25%	276	15	6	10.0	0.6

※ This would not affect the function, internal element may be exposed.